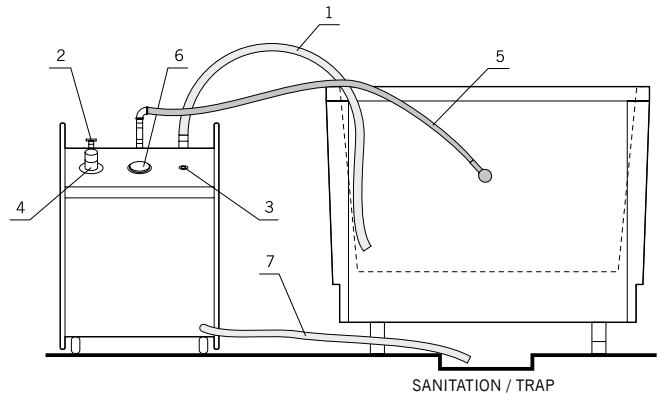


MOBILE UNIT FOR UNDERWATER SHOWER MASSAGE AND UNDERWATER VACUUM MASSAGE



UNDERWATER SHOWER MASSAGE **USM** + **UVM** UNDERWATER VACUUM MASSAGE



Mobile unit AQ-55 "JUNO" for hydrotherapy treatments in baths without built-in massage system.
If necessary, AQ-55 "JUNO" can be easily and reliably placed next to any bathtub.

1. Hose for water inlet
2. Air valve
3. Switch USM/UVM
4. Regulator USM/UVM
5. Hose for USM/UVM
6. Manometer
7. Hose for water drainage



Hose for USM and UVM nozzles



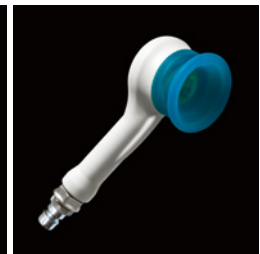
Hose for water inlet



Hose for water drainage



USM – nozzles for underwater shower massage



UVM – nozzle for underwater vacuum massage

BASIC EQUIPMENT

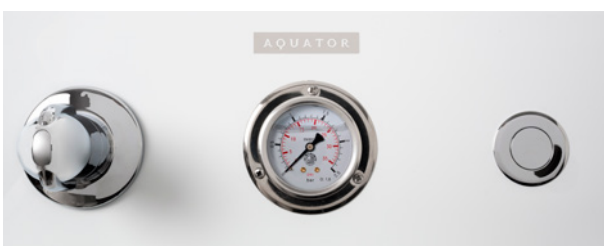
- Mobile unit
- Hose for USM and UVM nozzles
- Hose for water inlet
- Hose for water drainage
- Nozzles for underwater shower massage – USM 3 pcs.
- Power cable 2 m

ACCESSORIES

- Nozzle for underwater vacuum massage – UVM

TECHNICAL DATA

Power (kW)	1,5
Current (A)	7,0
Voltage (V)	~230
Frequency (Hz)	50
Pressure of USM with Ø 4 mm nozzle (MPa) ..	0–0,16 (0–1,6 bar)
Vacuum with UVM nozzle (kPa)	-40–0
Dimensions L×W×H (cm)	35 × 50,5 × 74
Capacity (l)	16



AQ-55 "JUNO" control panel with manometer



AQ-55 "JUNO" front



AQ-55 "JUNO" side



AQ-55 "JUNO" back