

HYDRO, AERO, UNDERWATER SHOWER MASSAGE AND UNDERWATER VACUUM MASSAGE BATH



UNDERWATER SHOWER MASSAGE

USM

+

UVM

UNDERWATER VACUUM MASSAGE

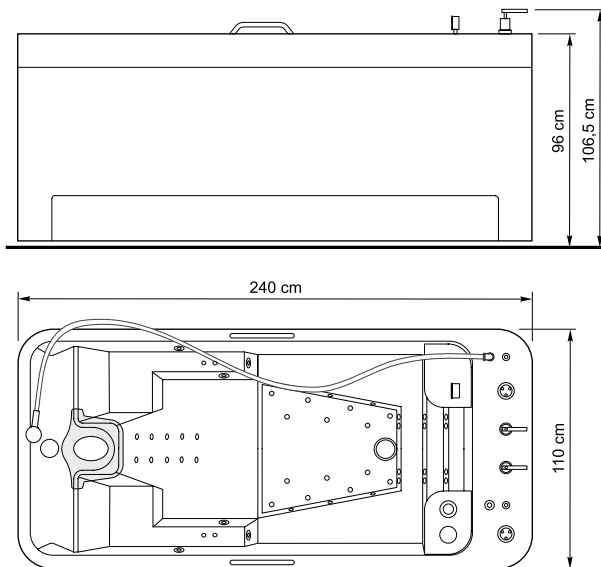
**UVM**  
LOCAL VACUUM TREATMENT ON SOFT TISSUES



The patient's position corresponds to the body position on the table for a classic massage, with the hands on the handrests and the face is on the pillow with an oval hole.

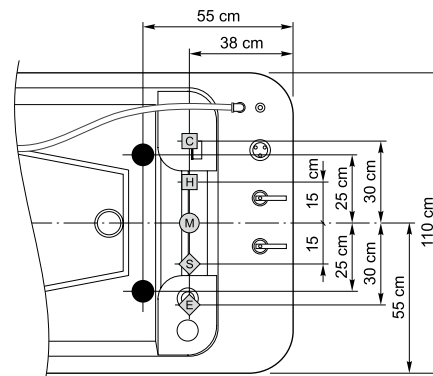
In such a position, the face is partially located below the level of water, and the body is under the water, providing relaxation for the neck, shoulders, arms and back.

Body on the side position is controlled by at least three supporting points. Allows to treat upper back, shoulders and upper arm comfortably.



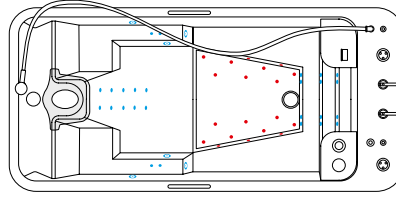
**MEASURES FOR COMMUNICATIONS**

- Sanitation opening Ø 100 mm (both locations are suitable)
- Hot water (3/4" stopcock max. 16 cm high from the floor)
- Cold water (3/4" stopcock max. 16 cm high from the floor)
- ◇ Supply wire cable (2 m long)
- ◆ Additional earthing wire cable (2 m long)
- ⊙ Mineral water (3/4" stopcock max. 16 cm high from the floor)



**HYDRO-AERO-USM-UVM**  
**HYDRO-AERO-USM**

- Hydromassage from sides
- Hydromassage from back
- Hydromassage for hands
- Hydromassage for foot
- Underwater shower massage
- Underwater vacuum massage  
(only in the case of HYDRO-AERO-USM-UVM)
- Air massage from bottom
- Bath

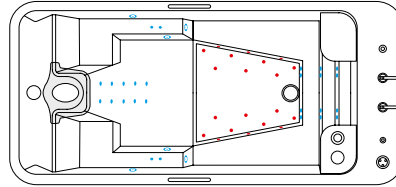


**HYDRO-AERO-USM-UVM**      **HYDRO-AERO-USM**

Power (kW) .....	4,44	4,44
Current (A) .....	10,7	10,7
Voltage (V) .....	3 × 400	3 × 400
Frequency (Hz) .....	50	50
• Micro jets .....	26	26
• Midi jets .....	6	6
• Air jets .....	20	20
Underwater shower massage .....	1	1
Underwater vacuum massage .....	1	-

**HYDRO-AERO**

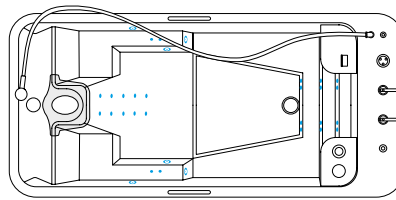
- Hydromassage from sides
- Hydromassage from back
- Hydromassage for hands
- Hydromassage for foot
- Air massage from bottom
- Bath



Power (kW) .....	2,94
Current (A) .....	6,7
Voltage (V) .....	3 × 400
Frequency (Hz) .....	50
• Micro jets .....	26
• Midi jets .....	6
• Air jets .....	20
Underwater shower massage .....	-
Underwater vacuum massage .....	-

**HYDRO-USM-UVM**  
**HYDRO-USM**

- Hydromassage from sides
- Hydromassage from back
- Hydromassage for hands
- Hydromassage for foot
- Underwater shower massage
- Underwater vacuum massage  
(only in the case of HYDRO-USM-UVM)
- Bath

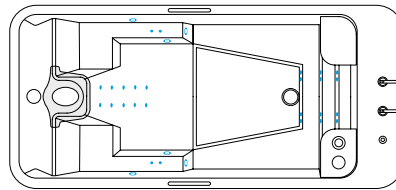


**HYDRO-USM-UVM**      **HYDRO-USM**

Power (kW) .....	3,7	3,7
Current (A) .....	8,8	8,8
Voltage (V) .....	3 × 400	3 × 400
Frequency (Hz) .....	50	50
• Micro jets .....	26	26
• Midi jets .....	6	6
Air jets .....	-	-
Underwater shower massage .....	1	1
Underwater vacuum massage .....	1	-

**HYDRO**

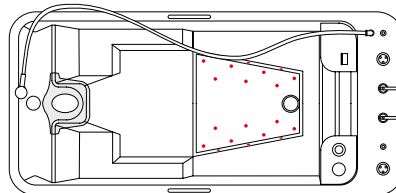
- Hydromassage from sides
- Hydromassage from back
- Hydromassage for hands
- Hydromassage for foot
- Bath



Power (kW) .....	2,2
Current (A) .....	4,8
Voltage (V) .....	3 × 400
Frequency (Hz) .....	50
• Micro jets .....	26
• Midi jets .....	6
Air jets .....	-
Underwater shower massage .....	-
Underwater vacuum massage .....	-

**AERO-USM-UVM**  
**AERO-USM**

- Underwater shower massage
- Underwater vacuum massage  
(only in the case of AERO-USM-UVM)
- Air massage from bottom
- Bath

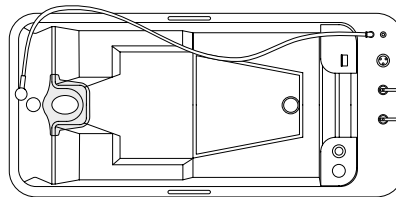


**AERO-USM-UVM**      **AERO-USM**

Power (kW) .....	2,24	2,24
Current (A) .....	5,9	5,9
Voltage (V) .....	3 × 400	3 × 400
Frequency (Hz) .....	50	50
Micro jets .....	-	-
Midi jets .....	-	-
• Air jets .....	20	20
Underwater shower massage .....	1	1
Underwater vacuum massage .....	1	-

**USM-UVM**  
**USM**

- Underwater shower massage
- Underwater vacuum massage  
(only in the case of USM-UVM)
- Bath

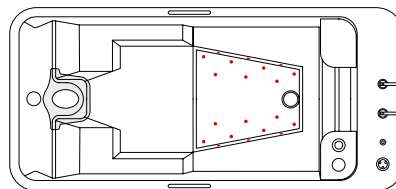


**USM-UVM**      **USM**

Power (kW) .....	1,5	1,5
Current (A) .....	4,0	4,0
Voltage (V) .....	3 × 400	3 × 400
Frequency (Hz) .....	50	50
Micro jets .....	-	-
Midi jets .....	-	-
Air jets .....	-	-
Underwater shower massage .....	1	1
Underwater vacuum massage .....	1	-

**AERO**

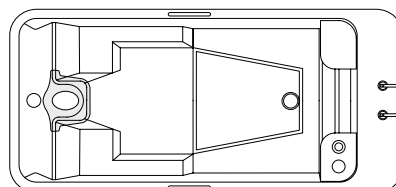
- Air massage from bottom
- Bath



Power (kW) .....	0,74
Current (A) .....	1,9
Voltage (V) .....	3 × 400
Frequency (Hz) .....	50
Micro jets .....	-
Midi jets .....	-
• Air jets .....	20
Underwater shower massage .....	-
Underwater vacuum massage .....	-

**BATH**

- Bathtub body
- Frame with adjustable feet
- 2 front and 2 side panels
- Drain
- Pillow
- Hot and cold water stopcock
- Mixer with handshower
- Stainless steel handles



Power (kW) .....	-
Current (A) .....	-
Voltage (V) .....	-
Frequency (Hz) .....	-
Micro jets .....	-
Midi jets .....	-
Air jets .....	-
Underwater shower massage .....	-
Underwater vacuum massage .....	-